

1.5 FITTING AND INSTALLATION

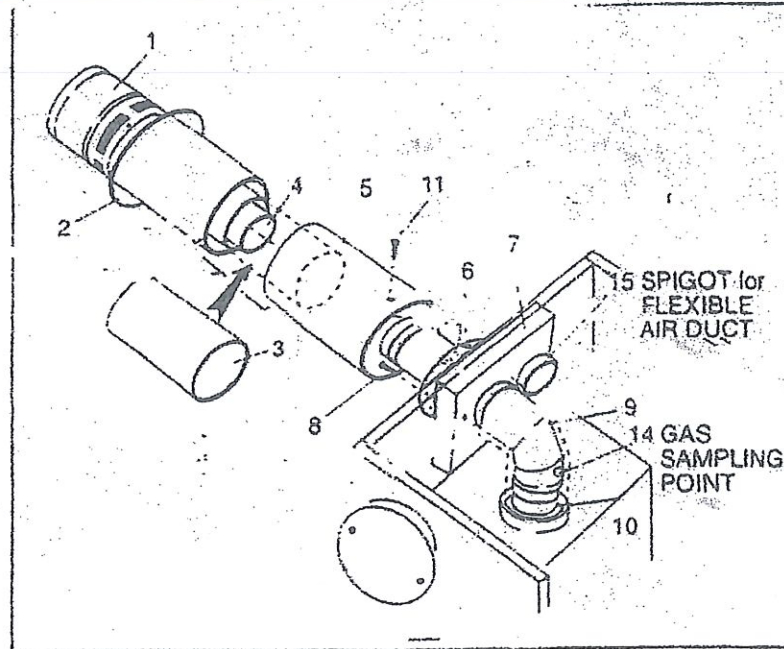


FIGURE 1 4B EXPLODED DIAGRAM OF LOW LEVEL FLUE CONNECTION

PARTS LIST

STANDARD HORIZONTAL BALANCED FLUES ARE FOR WALLS
228MM TO 406MM (9" TO 16") THICK.

Part	Description	Part	Description
1	Horizontal Terminal	9	Long Tail Bend
2	Wall Trim Cravat	10	Socket (on Boiler)
3	Insulation Tube	11 and 12	Self Tapping Screw
4	Exhaust Tube		
5	Outside Sleeve	14	Gas Sampling Point M10
6	Foam Rubber Tape	15	Spigot on 7
7	Air Collector Box	16	Flexible Air Pipe
8	Self Tapping Screw	17	Clamp

Horizontal Extensions sets are available.

250mm (10") Effective Length

350mm (14.6") Effective Length