

SECTION SIX - VERTICAL BALANCED FLUES FOR PITCHED ROOFS MERLIN SERIES

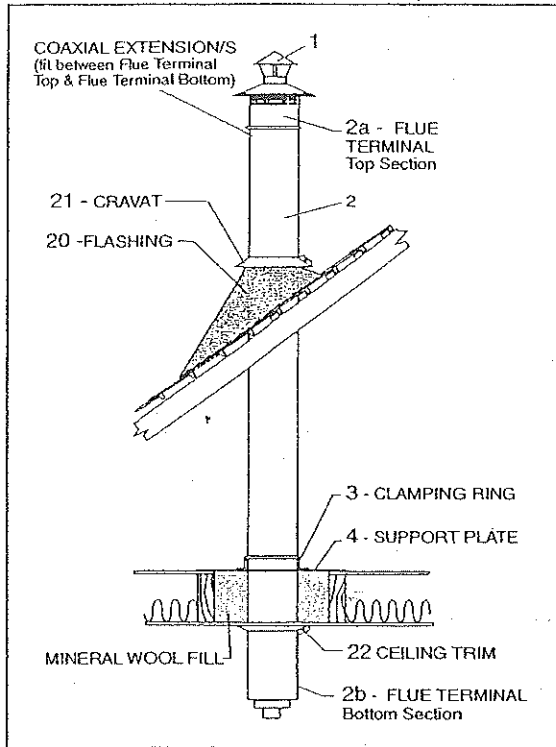


FIGURE 6.10

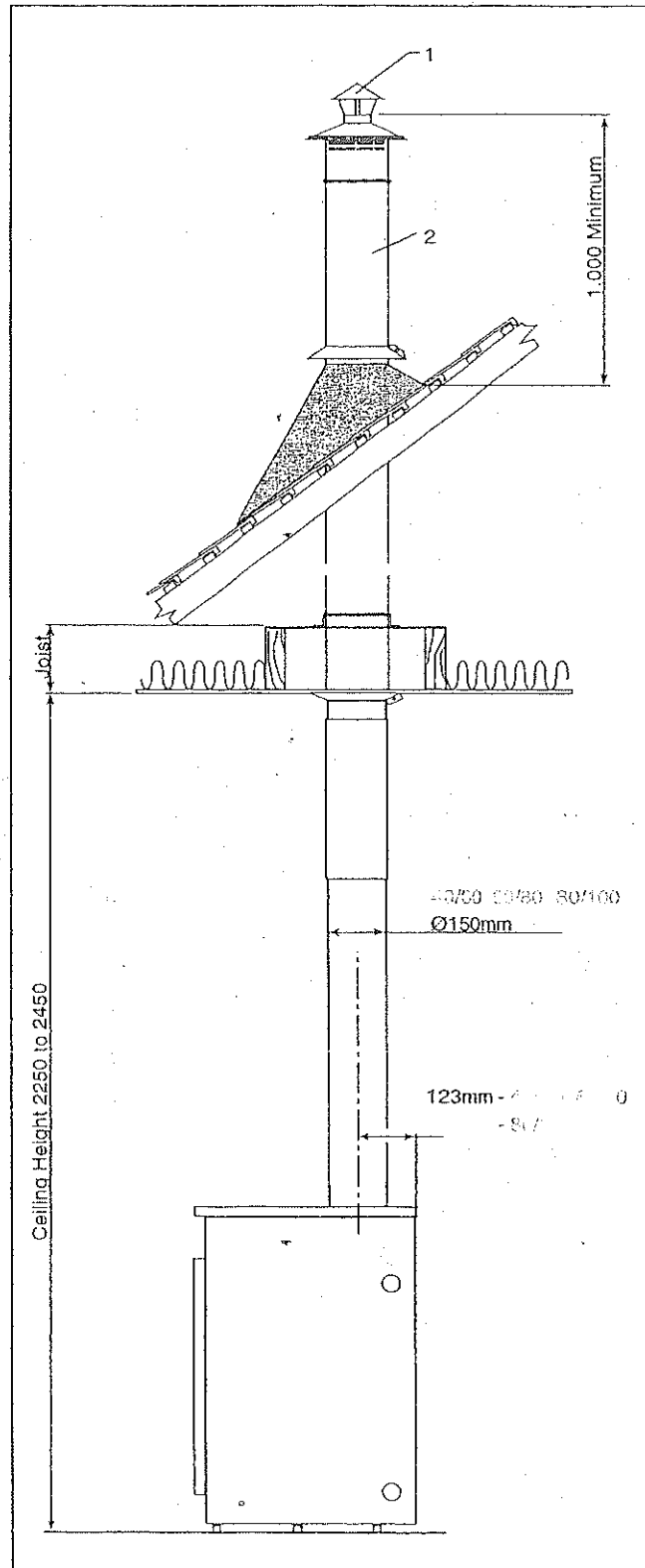


FIGURE 6.11

SECTION SIX - VERTICAL BALANCED FLUES FOR PITCHED ROOFS MERLIN SERIES

PARTS LIST

STANDARD VERTICAL BALANCED FLUES ARE SUITABLE FOR FLOOR TO CEILING
HEIGHT FROM 2250MM TO 2450MM

Part	Description	Part	Description
1	Rain Cap	11	Self Tapping Screw
2	Vertical Flue	13	Insulated Exhaust Pipe
2a	Removable Top Section	14	* Gas Sampling Point M-10
2b	Lower End of 2	15	Spigot on 7
3	Clamping Ring	16	Telescopic Exhaust Pipe
4	Support Plate	17	Telescopic Insulation Tube
5	Enamelled Round Pipe	19	Foil Backed Insulation Wrap
6	Foam Rubber Tape		
7	Air Collector Box	20	Pitched Roof Flashing Plate
8	Self Tapping Screw	21	Cravat
9	Enamelled Round Pipe	22	Ceiling Trim
10	Socket (On Boiler)		

Vertical Coaxial Extensions available— 600/900/1200 Effective Length.

Flashing Plates for Pitched Roofs are available.

5" to 32" Pitch.

32° to 45° Pitch.